



KEY FEATURES

- Single-width, mid-height (full-height option available)
- PCIe x4 Lane
- 2.5" SAS/SATA HDD
- VGA with 8MB of SDR
- Resolution of 1280 x 1024
- Two port USB 2.0 with Mini-USB connectors
- AMC.1 and AMC.3 compliant
- IPMI 2.0 compliant
- RoHS compliant
- OS support for:
 - Linux
 - Windows
 - Solaris
 - VxWorks

The AMC604 is a multi I/O adapter in the Advanced Mezzanine Card (AMC) form factor. The AMC604 combines a 2.5" SAS/SATA HDD, VGA and USB 2.0 in a single-width, mid-height AMC form factor.

The AMC604 is AMC.1 and AMC.3 compliant. The SAS/SATA signals are directly routed to the AMC connector per AMC.3.

The SATA hard disk drive can support data transfer rates of over 100 Mbyte/s and provides up to 320 GB of storage capacity. The VGA has 8MB of SDR memory and provides resolutions of up to 1280 x 1024. The USB is 2.0 which provides speeds of up to 480Mbits/sec.

The AMC604 is also available with a Solid State Flash drive or SAS Drive (with SAS only the full-height option is available, if mid-height is needed consider the AMC607).

VadaTech can modify this product to meet special customer requirements without NRE (minimum order placement is required).

AdvancedMC™

AMC 2.5" SAS/SATA, Graphics and USB 2.0

SPECIFICATIONS

Architecture		
Physical	Dimensions	Single-Width, Mid-Height (Full Height option)
		Width: 2.89 in. (73.5 mm)
		Depth: 7.11 in. (180.6 mm)
Product Type	AMC Multi I/O	2.5" SAS/SATA, Graphic and USB
		Optional Solid State Disk drive (contact Sales for capacity and availability)
		SATA 5400 RPM (with an option for 7200 RPM drive), <12ms average seek time
		SATA up to 200 Gbytes Hard Drive Capacity, 16 Mbyte buffer
		SATA 150 Mbyte/s transfer rate
		SAS up to 146Gbyte Hard Drive Capacity
		SAS 10,025 RPM, < 4.5 ms average seek time
Standards		
AMC	Type	AMC.1 and AMC.3
Module Management	IPMI	IPMI Version 2.0
PCIe	Lanes	x4
Configuration		
Power	AMC604	8W Typical
Environmental	Temperature	Operating Temperature: 0° to 60° C (Air flow requirement is to be greater than 200 LFM)
		Storage Temperature: -40° to +70° C
	Vibration	Operating 9.8 m/s ² (1.0G), 5-500Hz
	Shock	Operating 325G/2ms, 160G/1ms
	Relative Humidity	5 to 95 percent, non-condensing
Front Panel	Interface	VGA (DB-15)
		USB 2.0 (Mini-USB)
	LEDs	IPMI Management Control SAS Activity, USB power and PCIe Lane Good
	Mechanical	Hot Swap Ejector Handle
Software Support	Operating Systems	Linux, Windows, Solaris and VxWorks
Other		
MTBF	MIL 217-F > TBD	
Certifications	Designed to meet FCC, CE and UL certifications where applicable	
Standards	VadaTech is certified to both the ISO9001:2000 and AS9100B:2004 standards	
Compliance	RoHS and NEBS	
Warranty	Two (2) years	
Trademarks and Logos	The VadaTech logo is a registered trademark of VadaTech, Inc. Other registered trademarks are the property of their respective owners. AdvancedMC™ and the AdvancedTCA™ logo are trademarks of the PCI Industrial Computers Manufacturers Group. All rights reserved. Specification subject to change without notice.	

AMC 2.5" SAS/SATA, Graphics and USB 2.0

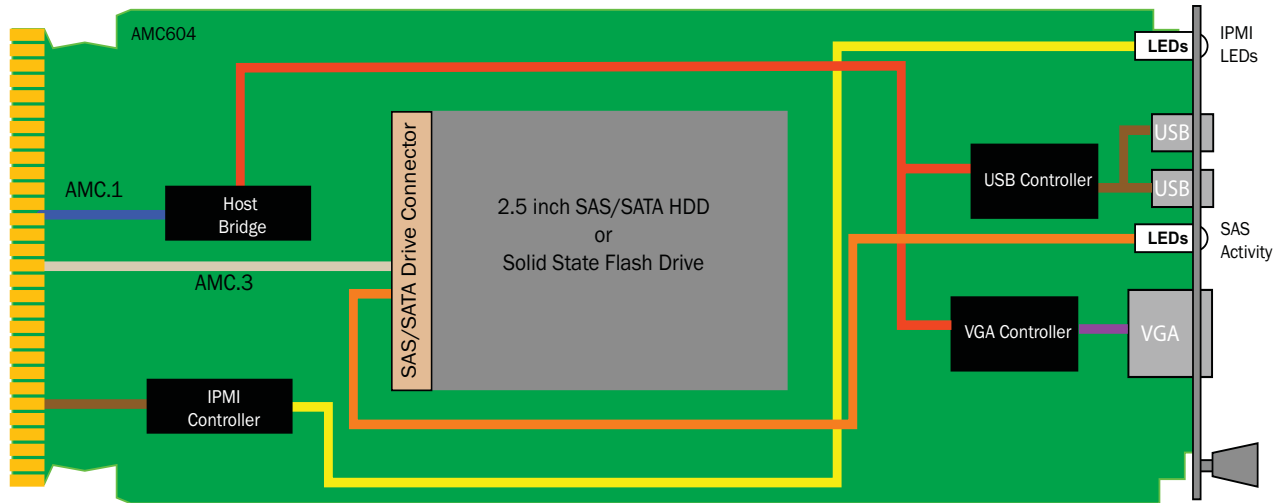


FIGURE 1. AMC604 Functional Block Diagram

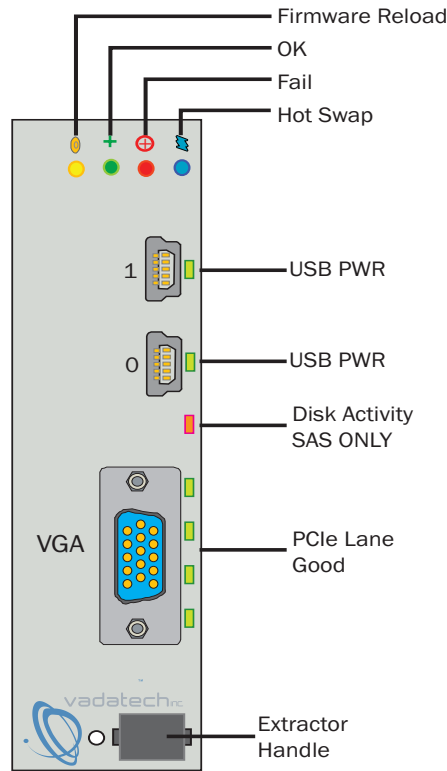


FIGURE 2. AMC604 Front Panel

AMC 2.5" SAS/SATA, Graphics and USB 2.0

ORDERING OPTIONS

AMC604 - ABC - D00 - 00J

A = SATA Drive Capacity

- 0 = None
- 1 = 250 GB
- 2 = 500 GB
- 3 = Reserved
- 4 = Reserved
- 5 = Reserved
- 6 = Reserved
- 7 = 2.5" Solid State Flash drive
(Contact Sales for availability)

B = SAS** Drive Capacity

- 0 = None
- 1 = Reserved
- 2 = 146 GB
- 3 = 300 GB
- 4 = 600GB
- 5 = Reserved

C = Height

- 1 = Reserved
- 2 = Mid-Height
- 3 = Full-Height

*Available for the SSD option only

**With the SAS only the Full-Height option is available, if the Mid-Height is needed consider the AMC607

D = Temp

- 1 = Extended*
Temperature Range
(-20° C to +80° C)
- 2 = Standard
Temperature Range
(0° C to +60° C)

J = Conformal Coating

- 0 = None
- 1 = Humiseal 1A33 Polyurethane
- 2 = Humiseal 1B31 Acrylic